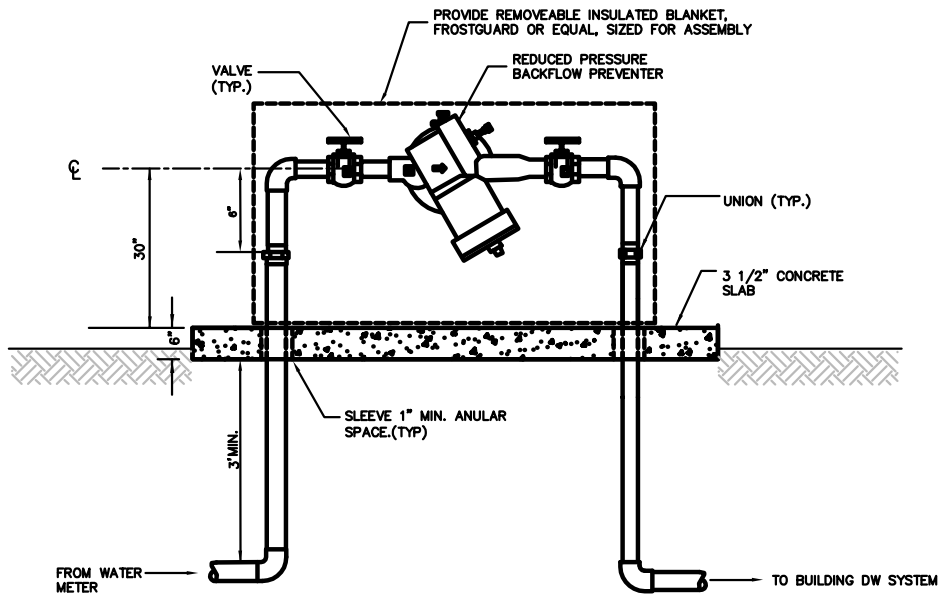


TOP VIEW OF SLAB



NOTES:

1. ALL PIPE AND FITTINGS SHALL BE COPPER TYPE K OR BRASS.
2. MATERIALS SHALL BE LEAD-FREE PER CALIFORNIA STATE HEALTH AND SAFETY CODE, SECTION 116875
3. SOFT SOLDER MALE ADAPTER, SIL-FOS ALL OTHER JOINTS