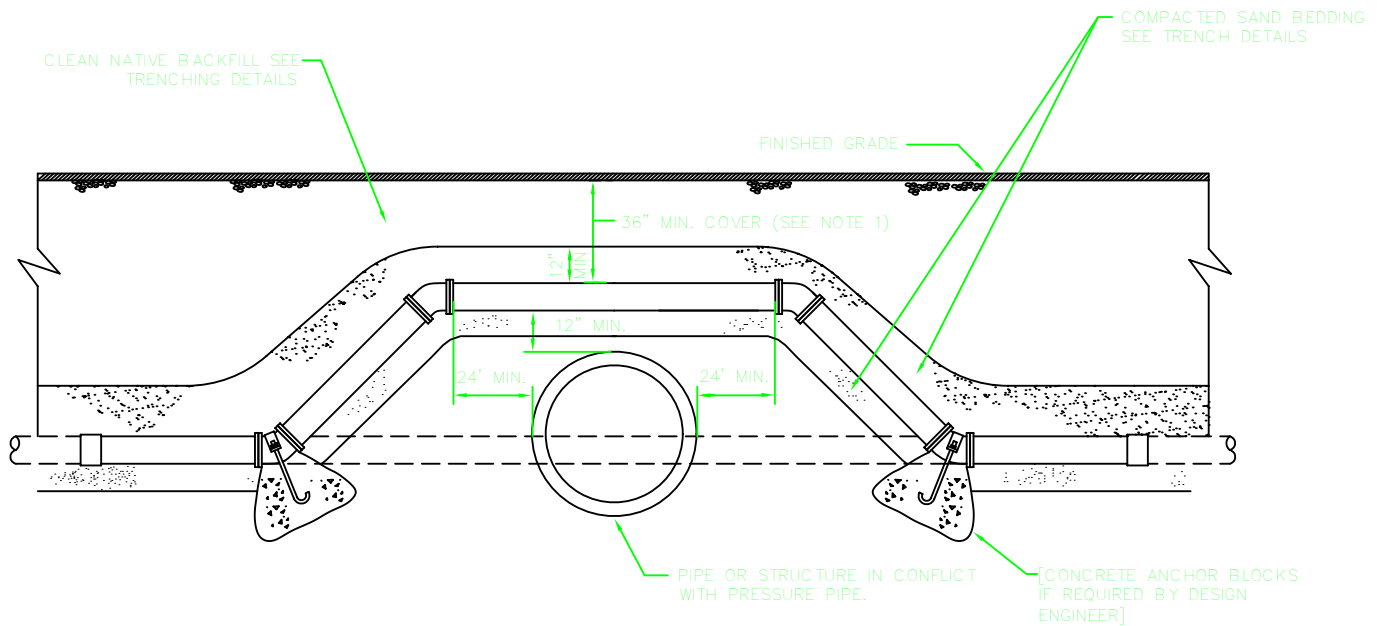


1. IF DEPTH IS LESS THAN 48" ALL PIPE AND FITTINGS SHALL BE DUCTILE IRON AND SHALL BE BRIDGED WITH POLYETHYLENE
2. USE MECHANICAL JOINT ON FLANGED FITTINGS WITH RESTRAINED JOINTS MAY BE USED
3. ALL BRIDS SHALL BE 48" OR 36" (2'-0" FITTINGS - 36" BRIDGES ALLOWED)
4. REFERENCE TRENCH DETAILS (SEE S-10 AND S-12)
5. IF AROUND PIPE IS DOMESTIC WATER REFER TO THE MOST RECENT EDITIONS OF THE CODE OF PLUMBING REGULATIONS OF NEW YORK STATE'S JOINTLY COMBINED FOR THE SEPARATION OF WATER MAINS AND SEWERABLE WASTEWATER



NOTES:

1. IF COVER IS LESS THAN 36", ALL PIPE AND FITTINGS SHALL BE DUCTILE IRON AND SHALL BE WRAPPED WITH POLYETHYLENE.
2. USE MECHANICAL JOINT OR FLANGED FITTINGS WITH RESTRAINED JOINTS MAY BE USED.
3. ALL BENDS SHALL BE 45° OR 22-1/2" FITTINGS— NO 90° BENDS ALLOWED.
4. REFERENCE TRENCH DETAILS. [SEE G-01 AND G-02]
5. IF EITHER PIPE IS DOMESTIC WATER REFER TO THE MOST RECENT VERSION OF THE STATE OF CALIFORNIA DEPARTMENT OF HEALTH SERVICES GUIDANCE "CRITERIA FOR THE SEPARATION OF WATER MAINS AND NON-POTABLE PIPELINES".

NOTES TO DESIGN PROFESSIONAL:

1. OVER CROSSING TO BE USED ONLY WITH APPROVAL OF UNIVERSITY REPRESENTATIVE.
2. VERIFY AND EDIT TEXT IN BRACKETS [].