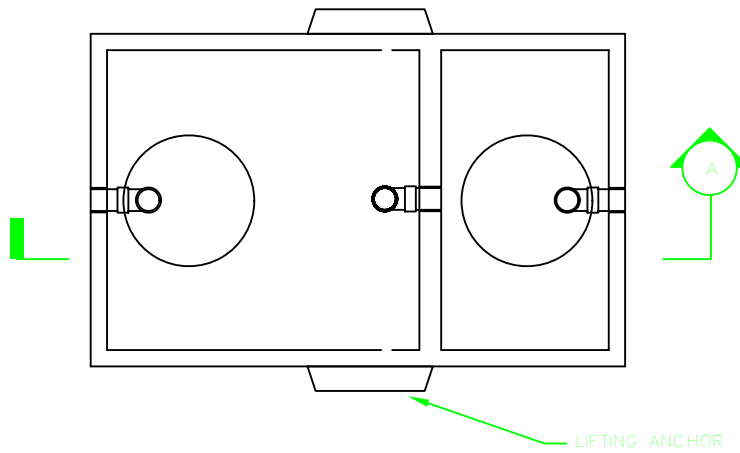
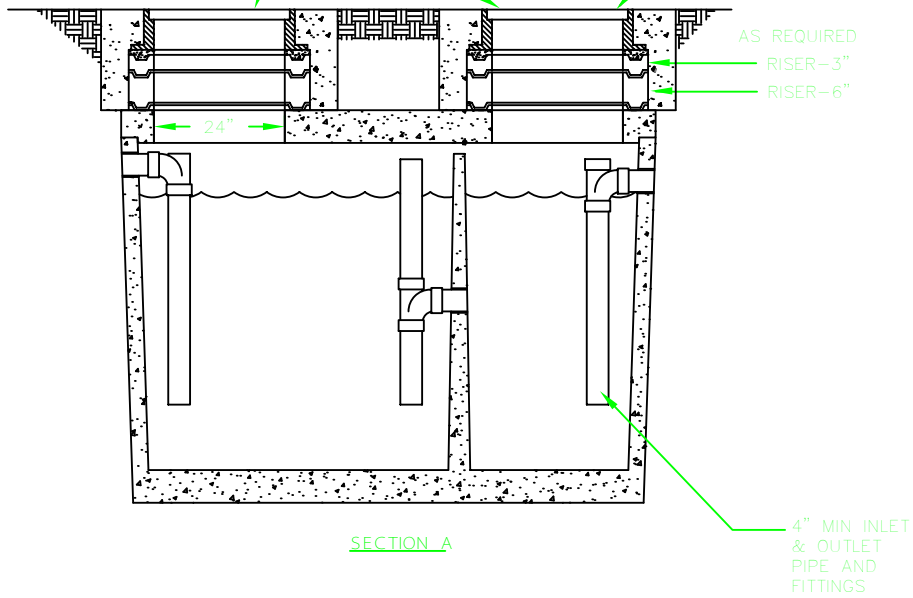


NOTES:

1. LIQUID CAPACITY: [AS SPECIFIED BY DESIGN ENGINEER]
2. INLET/OUTLET SIZE: [AS SPECIFIED BY DESIGN ENGINEER]
3. BOX DESIGN LOAD: H-20 TRAFFIC FROM 1" TO 6" OF SOIL COVER.

24" CAST IRON FRAME & COVER WITH GASKET REFER TO DETAIL [SS-01 & SS-02]

TEXT ON MANHOLE SHOULD READ "GREASE INTERCEPTOR" TYPICAL OF 2.



NOTES:

1. LIQUID CAPACITY: [AS SPECIFIED BY DESIGN ENGINEER]
2. INLET/OUTLET SIZE: [AS SPECIFIED BY DESIGN ENGINEER]
3. BOX DESIGN LOAD: H-20 TRAFFIC FROM 1' TO 6' OF SOIL COVER.

NOTES TO DESIGN PROFESSIONAL:

1. VERIFY AND EDIT TEXT IN BRACKETS [].