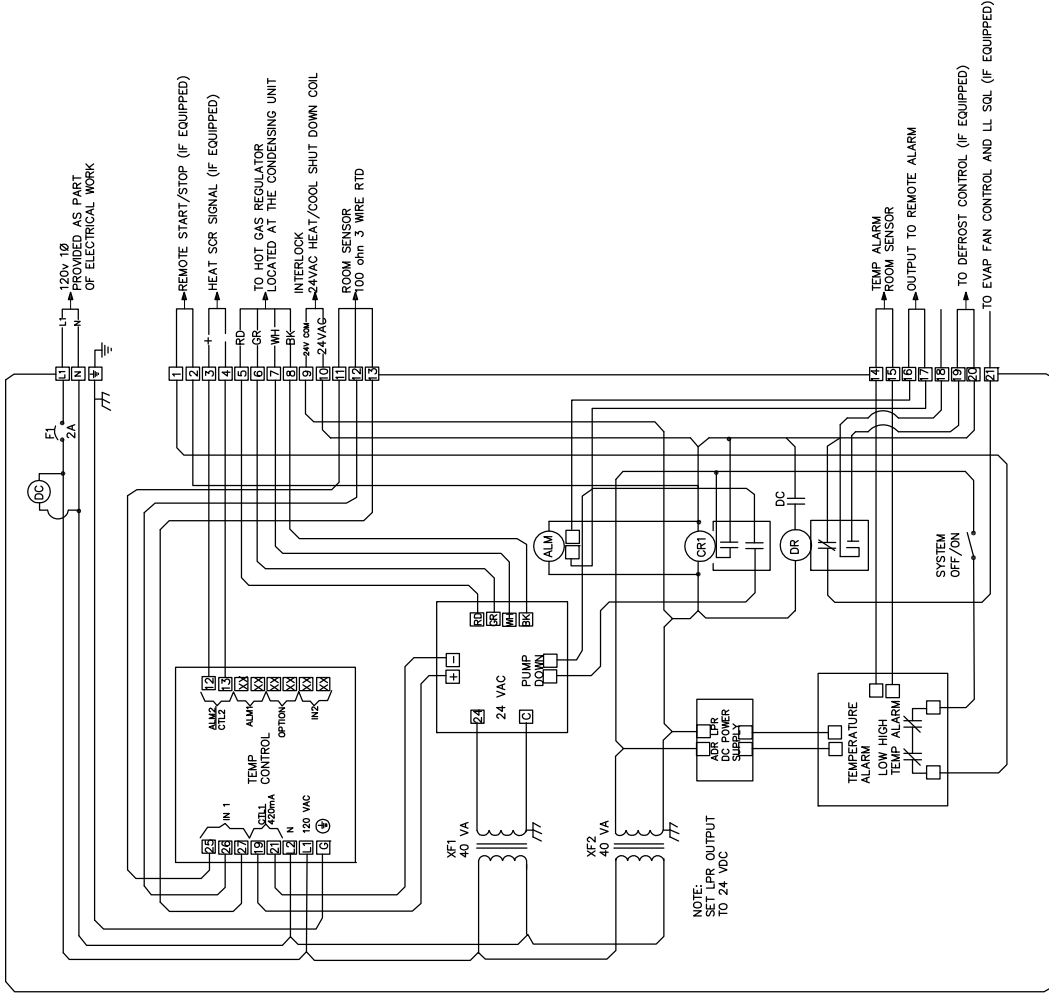


FRONT PANEL LAYOUT

TAG	QTY	PART NUMBER	DESCRIPTION
ENCLOSURE	1	20X16X8NEMA	ENCLOSURE
BACKPLATE	1	20X16BACKPLATE	
TERMINAL BLOCK	21	30A	TERMINAL BLOCKS
DC CONTROL	1	DC CONTROL	
XF1, XF2	2	400	TRANSFORMER
FUSE	2	FUSE	HOLDERS
TGB	1	HOT GAS	TEMPERATURE CONTROL
TEMP ALARM	1	TEMPERATURE	ALARM
TEMP ALARM	1	LOW TEMP	THERMISTOR
DR	1	DR	CONTROL
DC	1	DC	CONTROL
DR	1	DR	CONTROL RELAY
ALM	1	ALM	ALARM RELAY



PANEL WIRING SCHEMATIC

- NOTES:
- CONTACT USED FOR REMOTE ALARM.
 - CONTACT USED FOR DEFROST HEATER CONTROL, IF EQUIPPED.