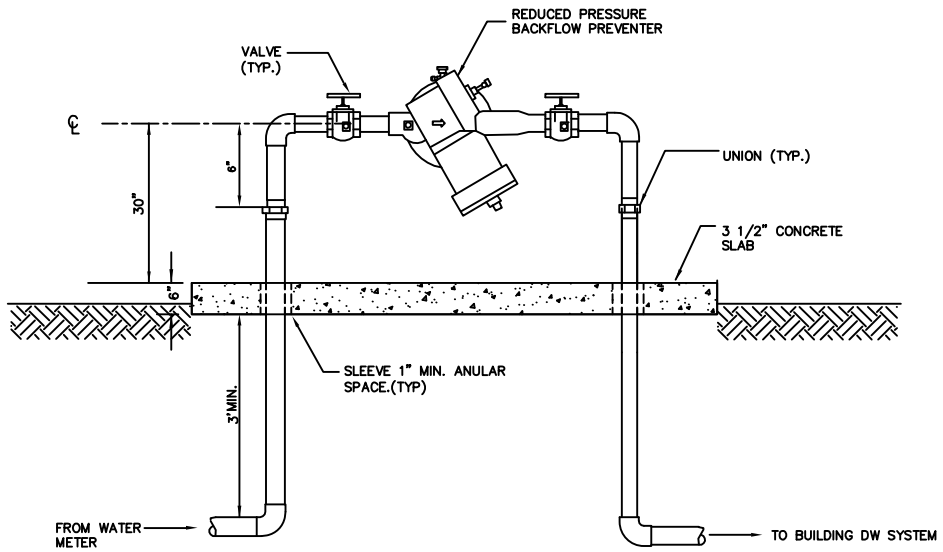


TOP VIEW OF SLAB



**NOTES:**

1. ALL PIPE AND FITTINGS SHALL BE COPPER TYPE OR BRASS.
2. PROVIDE REMOVEABLE INSULATED BLANKET FROSTGUARD FG-1 OR EQUAL.