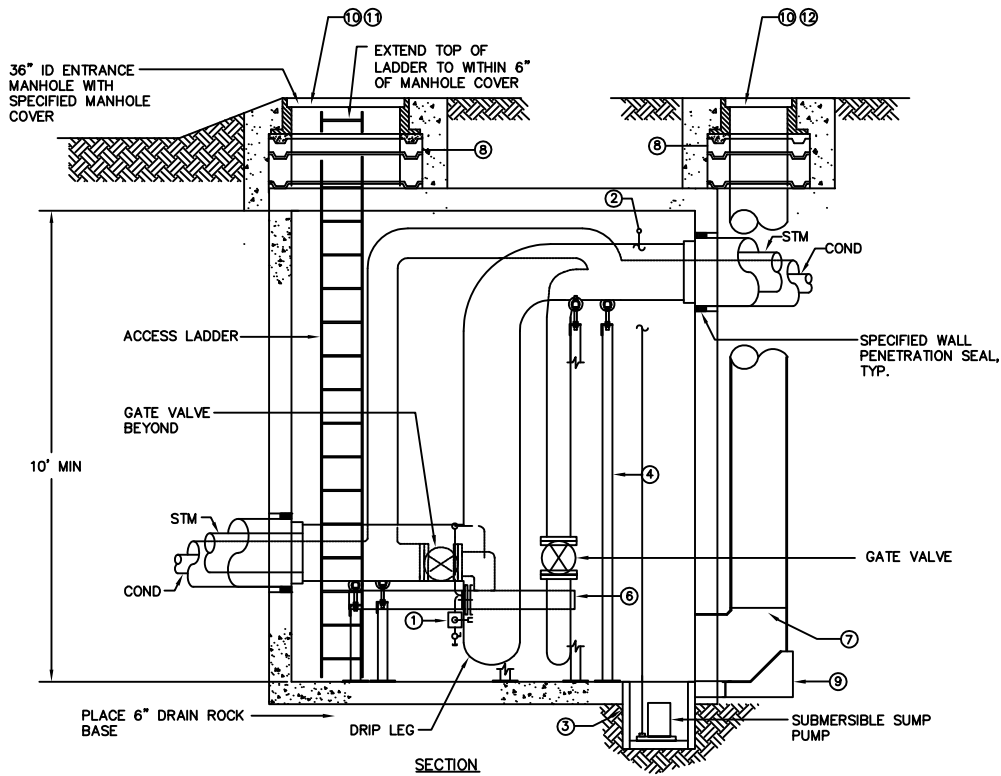


PLAN



SECTION

SHEET NOTES:

- ① STEAM TRAP AND DRIP SET ASSEMBLY, TYPICAL. [SEE TYPICAL STEAM METER DETAIL].
- ② 1-1/2" SUMP PUMP DISCHARGE LINE, TO STORM DRAINAGE SYSTEM.
- ③ 24" ϕ x 24" LONG REINFORCED CONCRETE SEWER PIPE.
- ④ PIPE SUPPORT IN VAULT, TYPICAL.
- ⑤ CONCRETE ANCHOR BLOCK, TYPICAL.
- ⑥ CONDENSATE COOLER. [SEE SANITARY SEWER INSIDE DROP DETAIL].
- ⑦ 24" ϕ REINFORCED CONCRETE PIPE AIR VENT.
- ⑧ CONCRETE GRADE RINGS AS REQUIRED.
- ⑨ CONCRETE SUPPORT FOR ELBOW, PLACE AGAINST UNDISTURBED EARTH.
- ⑩ [SEE SANITARY SEWER MANHOLE DETAIL FOR TERMINATION OF MANHOLE ACCESS AND AIR VENT OPENINGS.]
- ⑪ MANHOLE COVER SHALL BE D&L FOUNDRY MODEL# D-6140 OR EQUAL.
- ⑫ AIR VENT COVER SHALL BE D&L FOUNDRY MODEL # D-5343 OR EQUAL.

NOTES:

- 1. CENTERLINE PIPE ELEVATIONS SHOWN ARE AT VAULT WALL PENETRATIONS.

NOTES TO DESIGN PROFESSIONAL:

- 1. VERIFY AND EDIT TEXT IN BRACKETS [].
- 2. VERIFY WITH UNIVERSITY'S REPRESENTATIVE FOR CONDITIONS WHERE DRAINAGE OF SUMP PUMP TO STORM DRAINAGE SYSTEM IS NOT POSSIBLE.