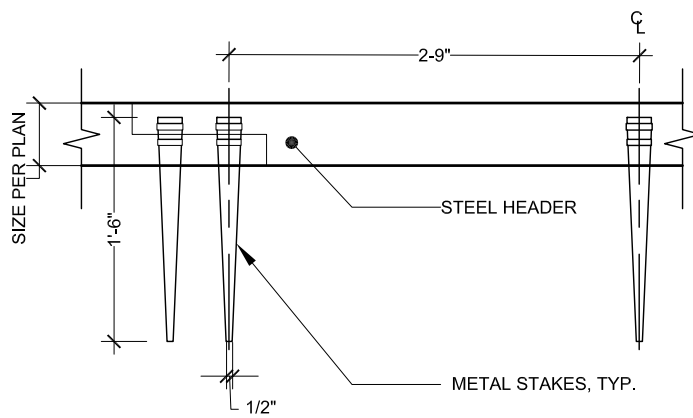


SECTION



ELEVATION

NOTE: STEEL HEADER SHALL BE DOUBLE STAKED AT OVERLAP JOINTS