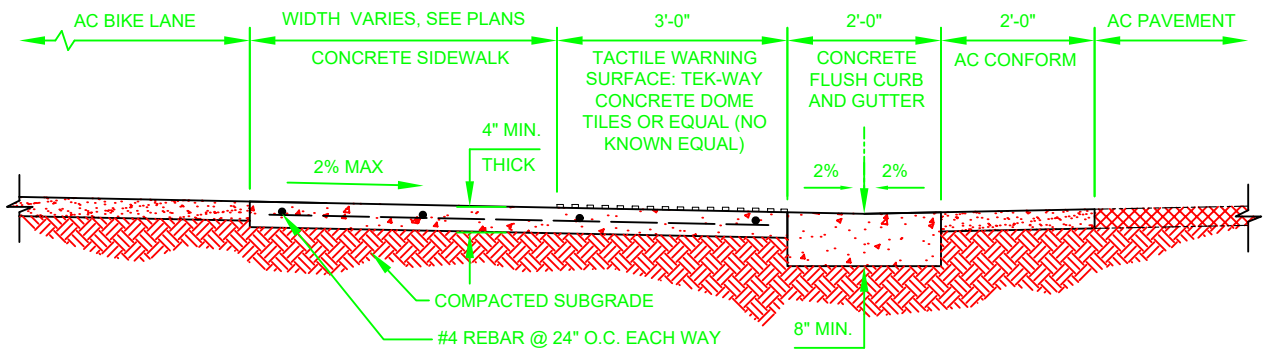
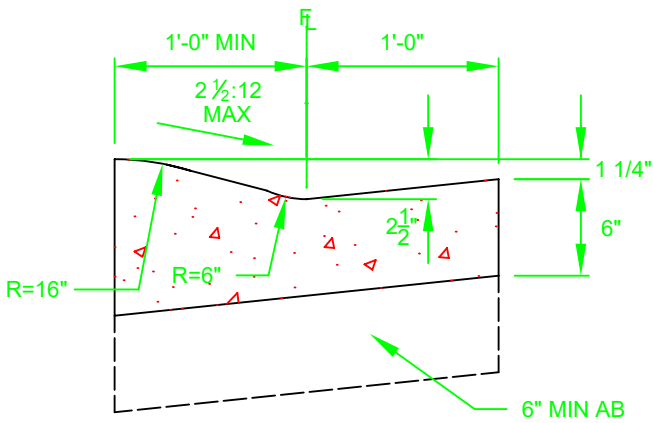


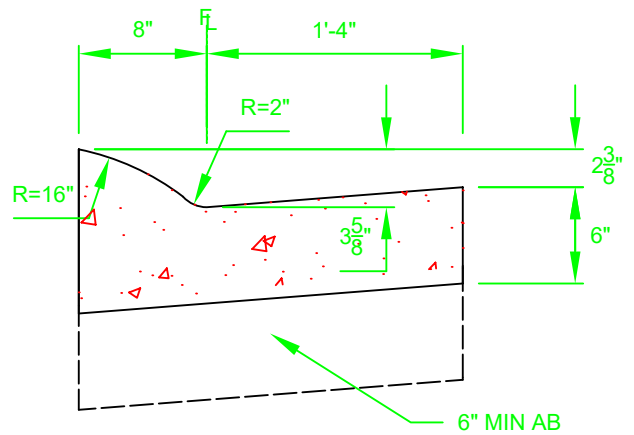
CON



BIKE CROSSING @ STREET WITH WALKWAY & TRUNCATED DOMES



BICYCLE CURB RAMP & GUTTER



ROLLED CURB & GUTTER