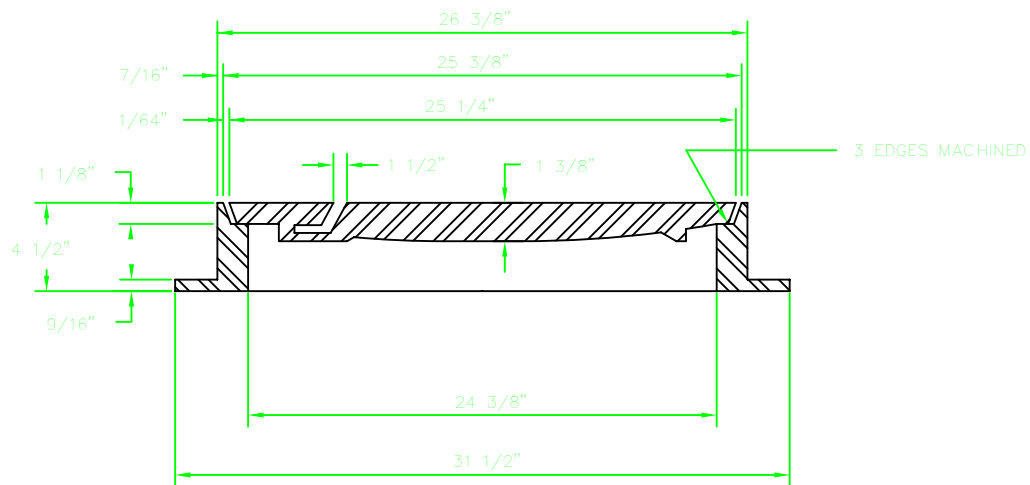
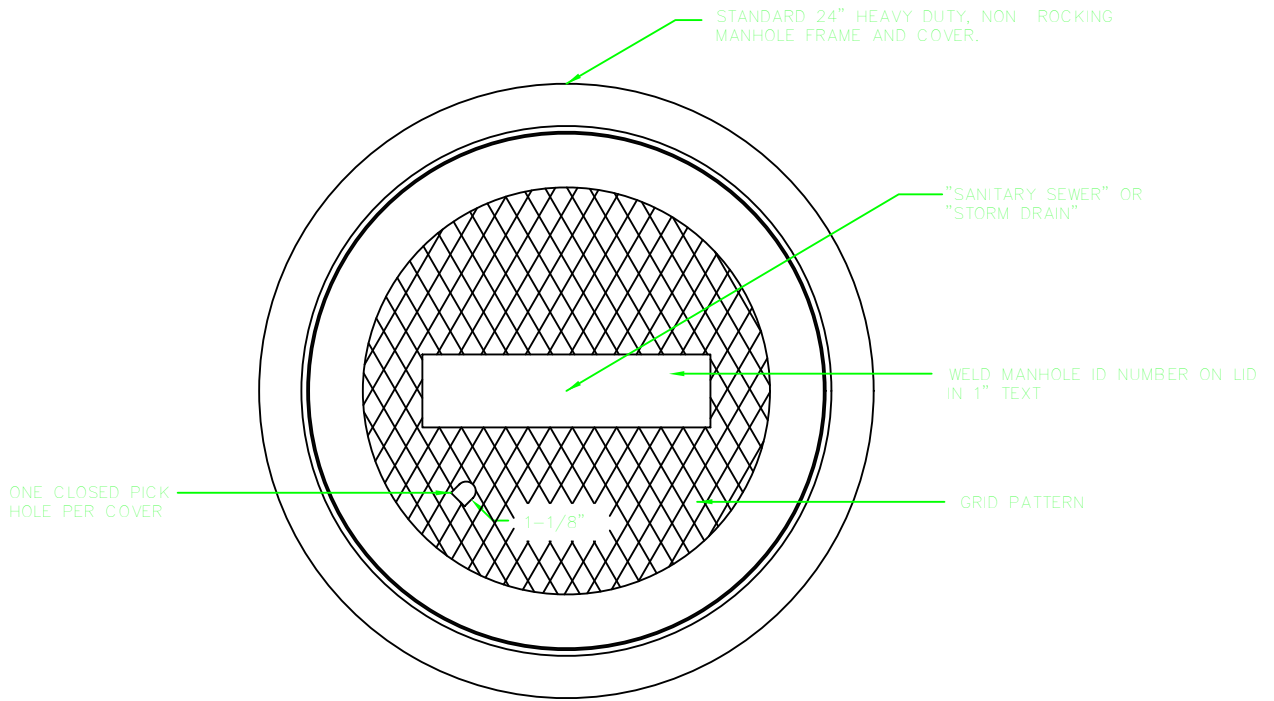


1. SPECIFY SANITARY SEWER, STORM DRAIN, OR WATER WHEN ORDERING.
 2. ALL MATERIAL USED IN MANUFACTURING SHALL CONFORM TO ASTM REQUIREMENTS AND CLASS 25.8.1 OR SECTION 25.2.02 AND 25.1.02 OF THE CALTRANS STANDARD SPECIFICATION.
 3. MINIMUM WEIGHT COMPONENTS:
COVER - 135 POUNDS
FRAME - 135 POUNDS
 4. FRAME AND COVER SHALL BE H-20 TRAFFIC RATED.
-
1. PAL SERIAL A-1024, SOUTH BAY FRAMERY DEF 1000 CM OR EQUAL.



NOTES:

1. SPECIFY SANITARY SEWER, STORM DRAIN, OR WATER WHEN ORDERING.
2. ALL MATERIAL USED IN MANUFACTURING SHALL CONFORM TO A.S.T.M. DESIGNATION A-48 CLASS 35 B, OR SECTION 55-2.03 AND 75-1.02 OF THE CALTRANS STANDARD SPECIFICATION
3. MINIMUM WEIGHT COMPONENTS:
COVER - 130 POUNDS
FRAME - 135 POUNDS
4. FRAME AND COVER SHALL BE H-20 TRAFFIC RATED.

MANHOLE FRAME & COVER

1. D&L SUPPLY A-1024, SOUTH BAY FOUNDRY SBF 1900 CPH OR EQUAL.