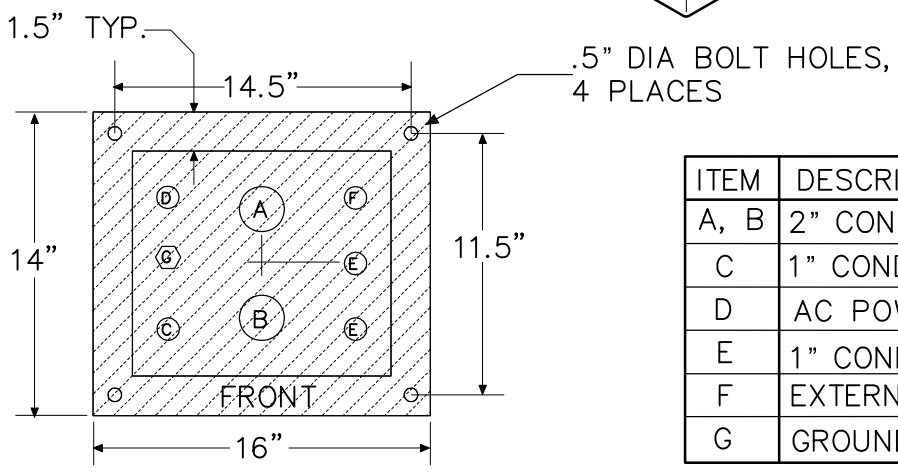


PEDESTAL MOUNTING:



ITEM	DESCRIPTION
A, B	2" CONDUIT – STATION WIRING
C	1" CONDUIT – COMMUNICATION
D	AC POWER CONDUIT
E	1" CONDUIT – SENSOR WIRING
F	EXTERNAL ANTENNA
G	GROUNDING ROD (CONDUIT ONLY)