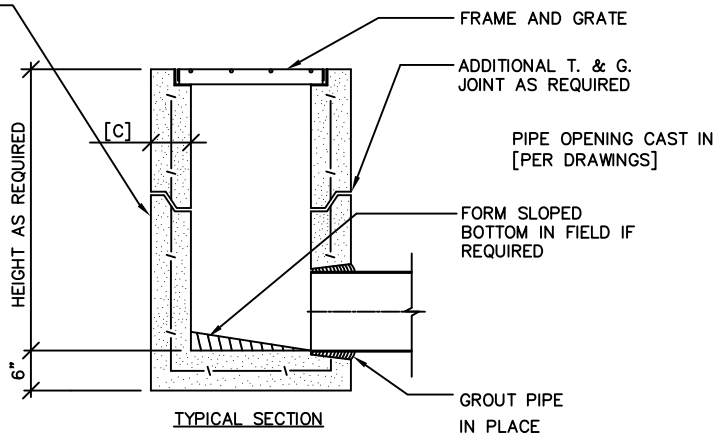


SEE NOTE 1.



BOX SIZE	MAX DEPTH
12x12	24"
18x18	30"
24x24	36"
30x30	42"
36x36	48"

FOR BOX SIZES LARGER THAN 36" USE MANHOLE  
SEE DETAIL [SS-01].

**NOTE:**

1. SET ALL BOX SECTIONS SECTIONS IN PLASTIC GASKET, RAM-NEK OR EQUAL. TYPICAL JOINT USE (1)3/4"x 2-1/2" RAM-NEK SEAL OR EQUAL. 6" WIDE GROUT BAND ON OUTSIDE.

**NOTES TO DESIGN PROFESSIONAL:**

1. VERIFY AND EDIT TEXT IN BRACKETS [ ].
2. [ENGINEER SHALL SPECIFY APPROPRIATE GRATE LOAD RATING AND BAR SPACING.]

<b>UNIVERSITY OF CALIFORNIA, DAVIS</b>		
<b>DRAIN INLET</b>		
REVISION: 1		
SCALE: NONE	DATE: JULY 08	
DWN: KH CHK: VG	APPROVED	FILE NO. SD-01