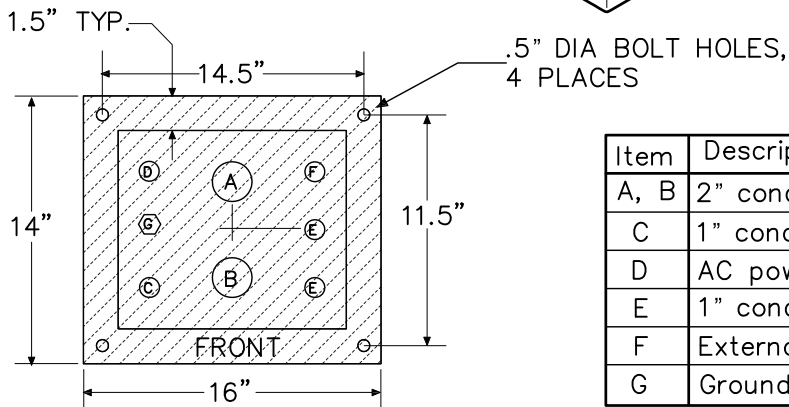


PEDESTAL MOUNTING:



Item	Description
A, B	2" conduit – station wiring
C	1" conduit – communication
D	AC power conduit
E	1" conduit – sensor wiring
F	External antenna
G	Grounding rod (conduit only)

— CONTROLLER PEDESTAL CABINET

UNIVERSITY OF CALIFORNIA, DAVIS		
IRRIGATION CONTROLLER		
REVISION: 1		
SCALE: N.T.S.	DATE: JUNE 2011	
DWN:	APPROVED	FILE NO. L-05
CHK:		